

GU10 SPOT

SUPER EFFICIENT
90
LUMEN
per **WATT**

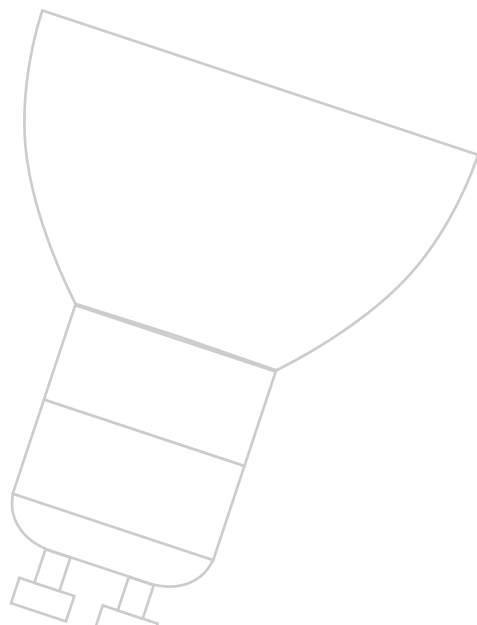


Areas of application

- Indoor use
- General illumination
- Chandeliers
- Outdoor applications only in suitable luminaires

Product benefits and features

- Long lifetime of up to 30,000 hours
- Low energy consumption
- Easy replacement
- Instant 100% light, no warm-up time



No UV and thermal radiation Free from harmful elements	Hg Mercury 0%	ACD™ DRIVER for longer life & superior heat resistance.	-20°C to 50°C operating temperature
 Non-dimmable	3** YEAR GUARANTEE	 I/O ≥15000	 Instant light

Technical data

Electrical data

Wattage	5W	7W
Nominal wattage	5W	7W
Nominal voltage	100-250V	100-250V
Operating frequency	50-60Hz	50-60Hz
equiv. wattage of lamp	50W	60W
Nominal luminous flux	425lms	525lms
Rated luminous flux	425lms	525lms
Beam angle	38° Normal 120° Wide	38° Normal 120° Wide

Colour and temperature

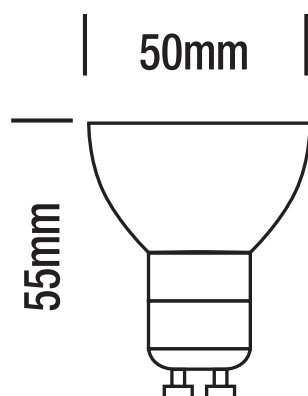
Light colour	Warm White	Cool Day White
Colour temperature	3000K	6500K

Light technical data

Warm-up time (60 %)	≤ 1.00 s
Starting time	< 0.5 s

Dimensions & weight

Overall length	55 mm
Diameter	50 mm




*size varies depending on
cap base & clear or pearl type

Lifespan

Nominal lamp life time	30,000 hours
Rated lamp life time	30,000 hours
Number of switching cycles	15,000
Lumen main.fact.at end of nom.life time	0.70

Additional product data

Base	 GU10 10mm
Mercury content	0.0 mg
Mercury-free	Yes
Design / version	Opal / Pearl and Clear
Appropriate disposal acc. to WEEE	Yes
Product remark	All technical parameters apply to the entire lamp. Due to the complex production process for light-emitting diodes, the typical values shown for the technical LED parameters are purely statistical values that do not necessarily match the actual technical parameters of each individual product, which can vary from the typical value

Capabilities

Dimmable	No
----------	----

Certificates & standards

Energy efficiency class	A+
Energy consumption	5 kWh/1000h 7 kWh/1000h

Logistical Data

Product code	Product description	Cover	Colour	Power	Units	Inner	Master	Pallet
SLGU10-5W	GU10 5W-PIN	PEARL	WARM WHITE	5W=50W	1 Pack	12	10x12	30
SLGU10-5WB	GU10 5W-PIN WIDE B	PEARL	WARM WHITE	5W=50W	1 Pack	12	10x12	30
SLGU10-7W	GU10 7W-PIN	PEARL	WARM WHITE	7W=60W	1 Pack	12	10x12	30
SLGU10-7WB	GU10 7W-PIN WIDE B	PEARL	WARM WHITE	7W=60W	1 Pack	12	10x12	30
SLGU10-5C	GU10 5W-PIN	PEARL	COOL DAY WHITE	5W=50W	1 Pack	12	10x12	30
SLGU10-5CB	GU10 5W-PIN WIDE B	PEARL	COOL DAY WHITE	5W=50W	1 Pack	12	10x12	30
SLGU10-7C	GU10 7W-PIN	PEARL	COOL DAY WHITE	7W=60W	1 Pack	12	10x12	30
SLGU10-7CB	GU10 7W-PIN WIDE B	PEARL	COOL DAY WHITE	7W=60W	1 Pack	12	10x12	30

References / Links

For further products and actual information concerning LED lamps see: <http://www.supacell.eu.com/led/>
 For Supacell LED Catalogue: http://www.multibrands.eu.com/Supacell_LED_Catalogue/

Disclaimer

Subject to change without notice. Errors and omission excepted. Always make sure to use the most recent release.